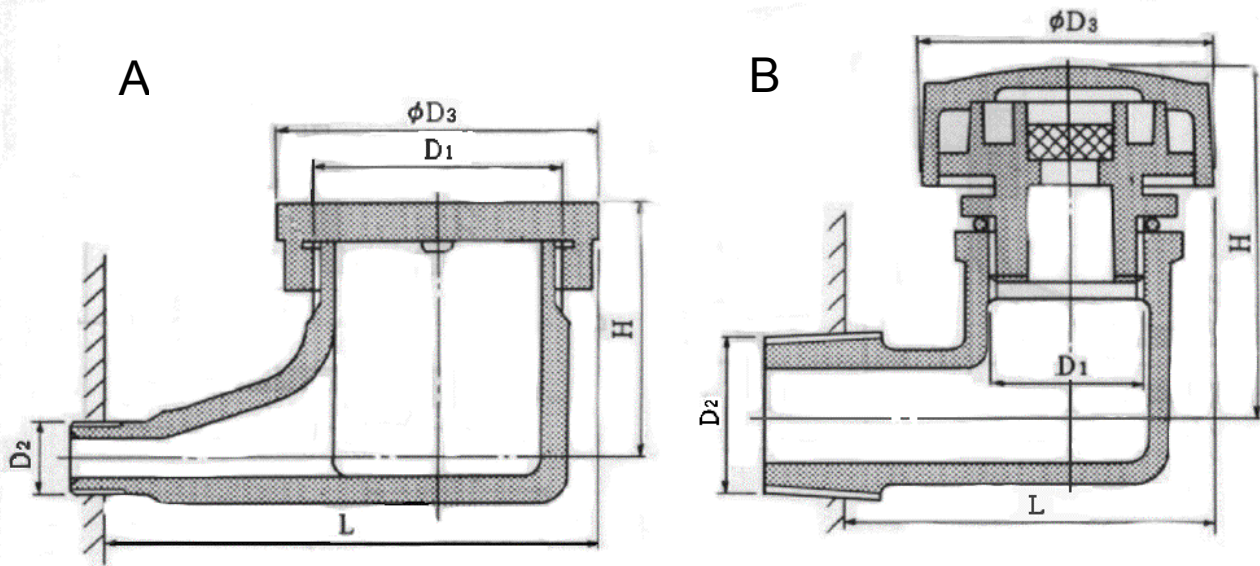


Dimensions of Oil Filler Plug

1/1



Types	Frame Size	Drawing	D ₁	D ₂	D ₃	L	H	Material
CVV, CVVM	6130~6145	A	Rp 3	Rc ³ / ₈	97	118	58	FCD450 (Pipe) FC200 (Cap)
CHF, CHFM	6130~6145		Rp 2 ¹ / ₂	Rc ¹ / ₄	85	94	49	FCD450 (Pipe) FCD450 (Cap)
CHF, CHFM	6160~6195		Rp 1 ¹ / ₂	Rc ¹ / ₄	58	94	49	FCD500 (Pipe) FCD500 (Cap)
CVV, CVVM	6160~6165	B	Rp ¹ / ₂	Rc ¹ / ₂	40	52	48	FCMB (Pipe) Polyethylene (Cap)
	6170~6195		Rp ³ / ₄	Rc ³ / ₄	40	58	53	
	6205~6245		Rp 1	Rc 1	40	64	65	

August 1, 2001

Sumitomo Heavy Industries, Ltd