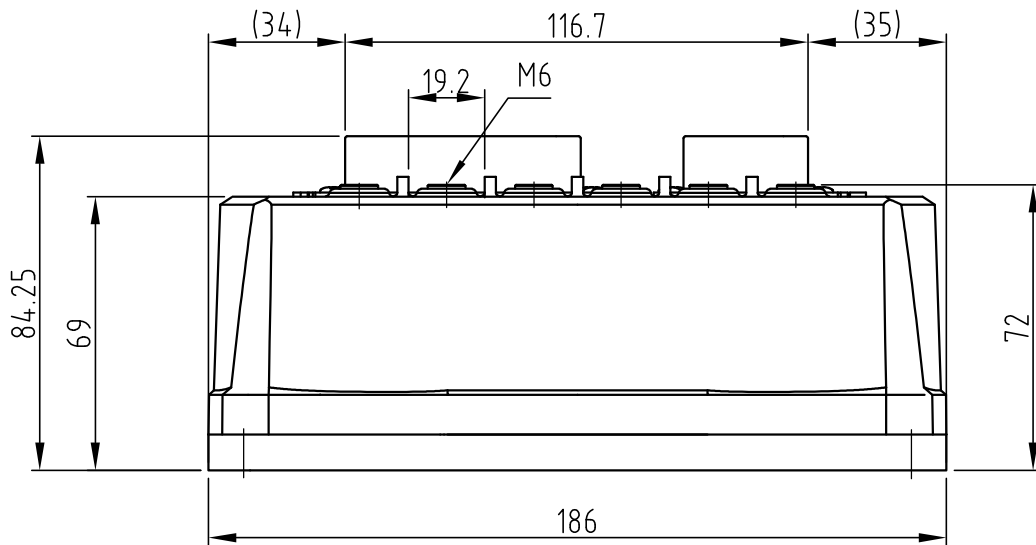
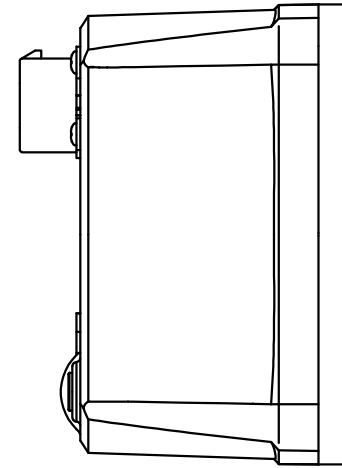
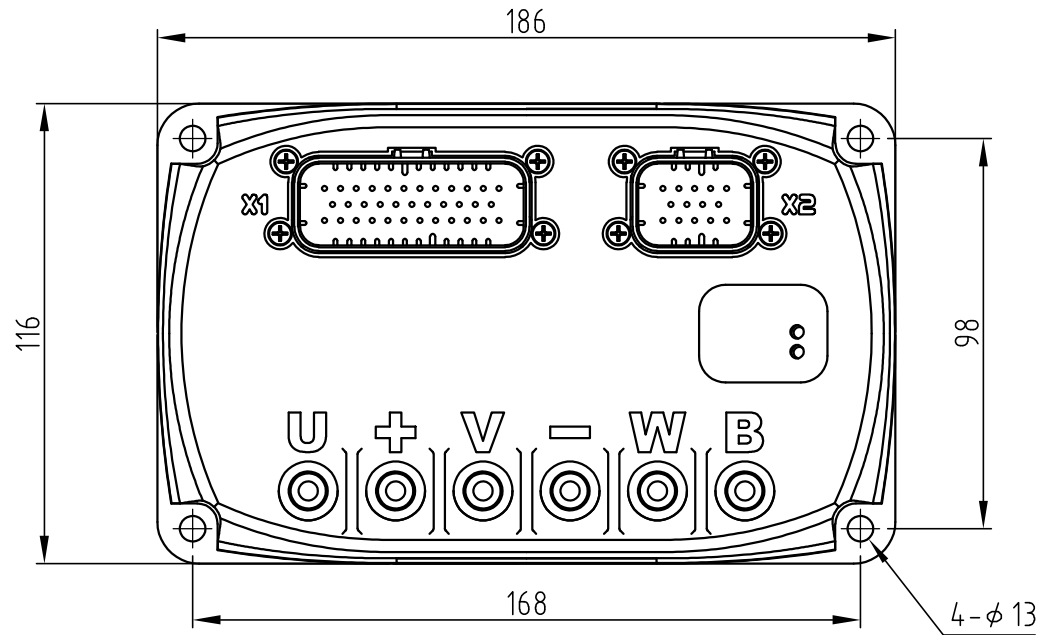


詳細な仕様は取扱説明書を参照ください
 Please refer to the instruction manual for detail

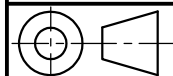


weight : 1.6kg

Sumitomo Drive Technologies

 Sumitomo Heavy Industries, Ltd.

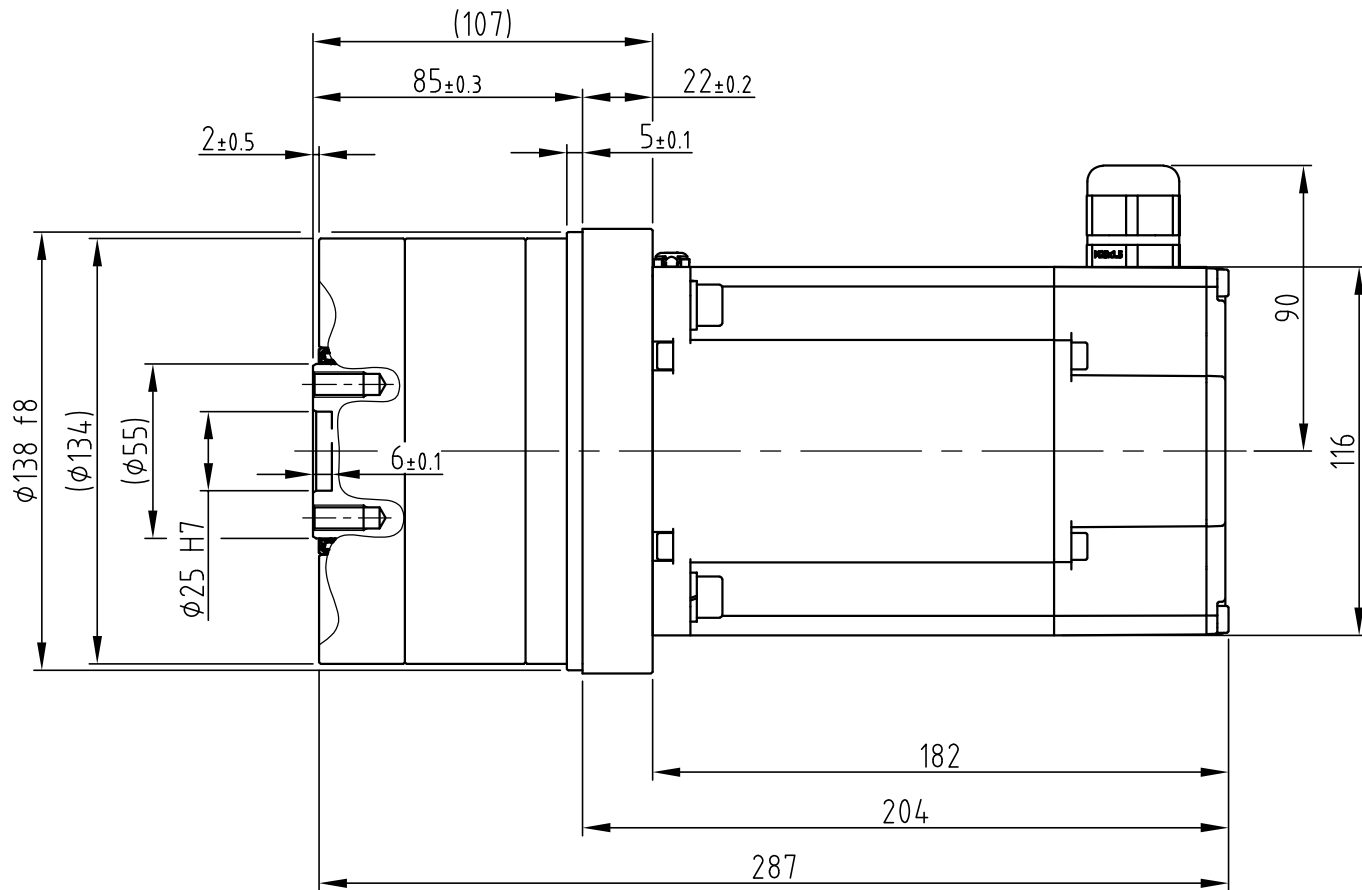
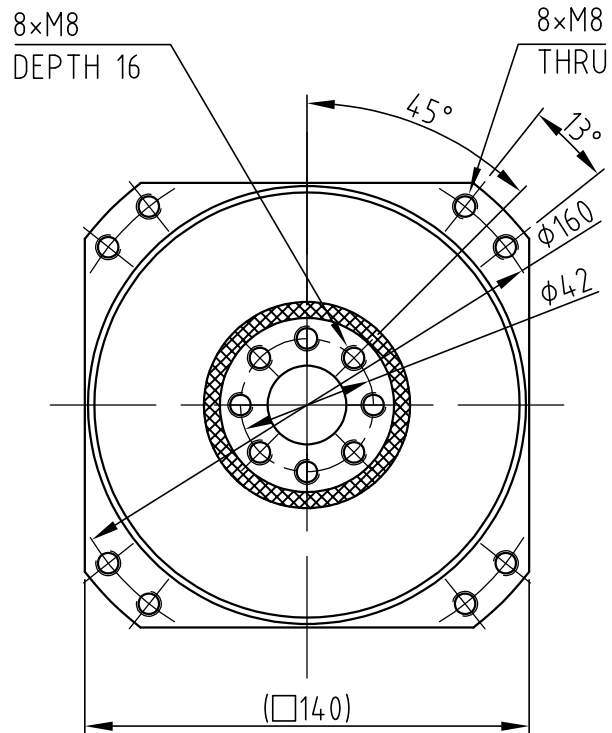
smartris OUTLINE DRAWING



DWG.NO.

C H 5 2 3 0 8 | G10

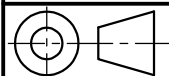
DRIVER FOR smartris



Sumitomo Drive Technologies

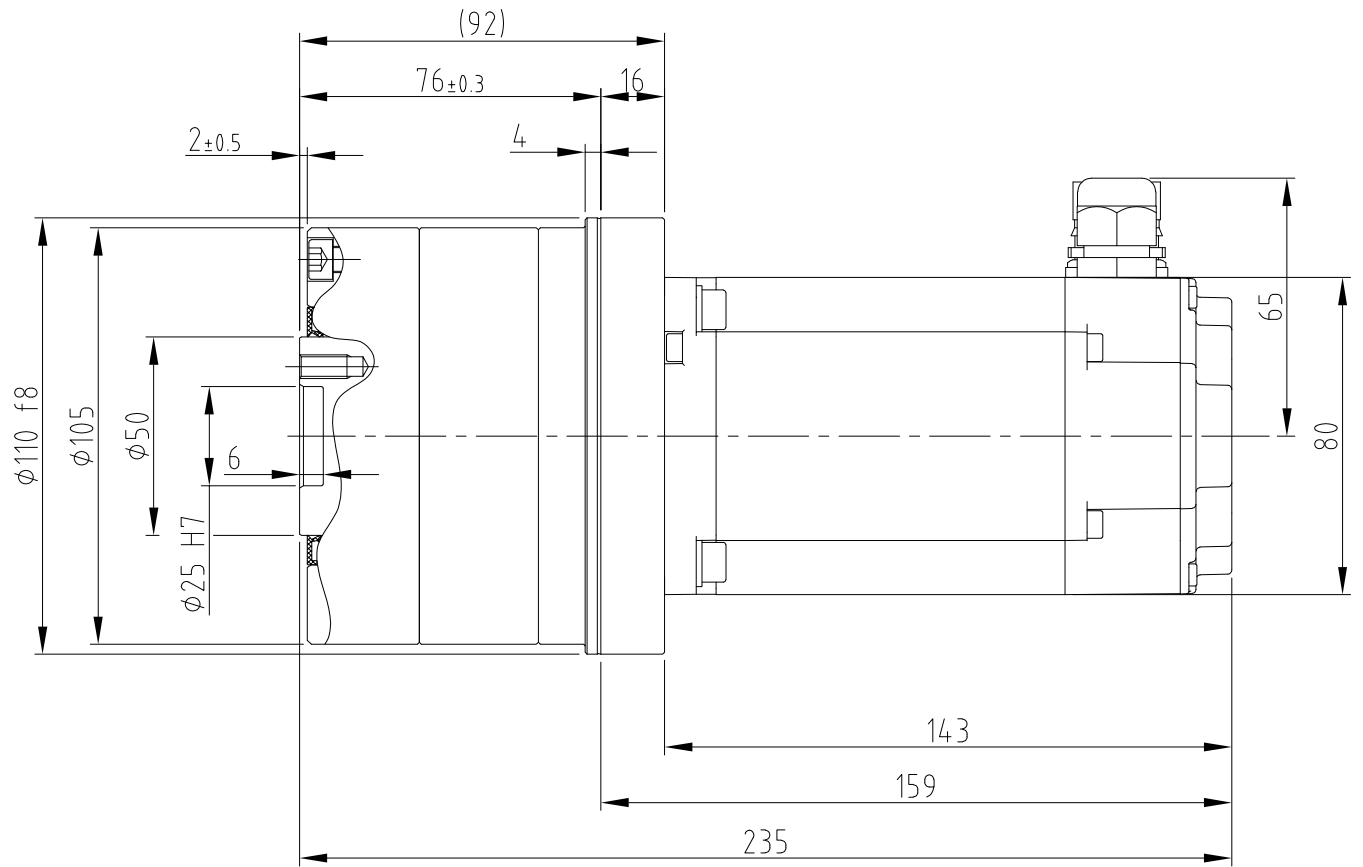
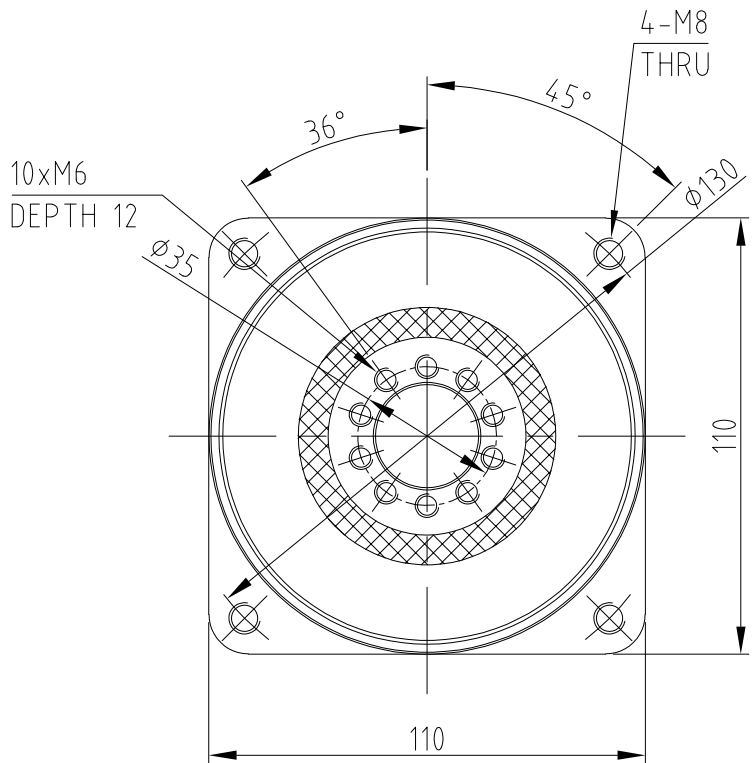
 Sumitomo Heavy Industries, Ltd.

smartris OUTLINE DRAWING



DWG.NO.

CH52578IG10

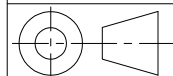


(Motor : Resolver)

Sumitomo Drive Technologies

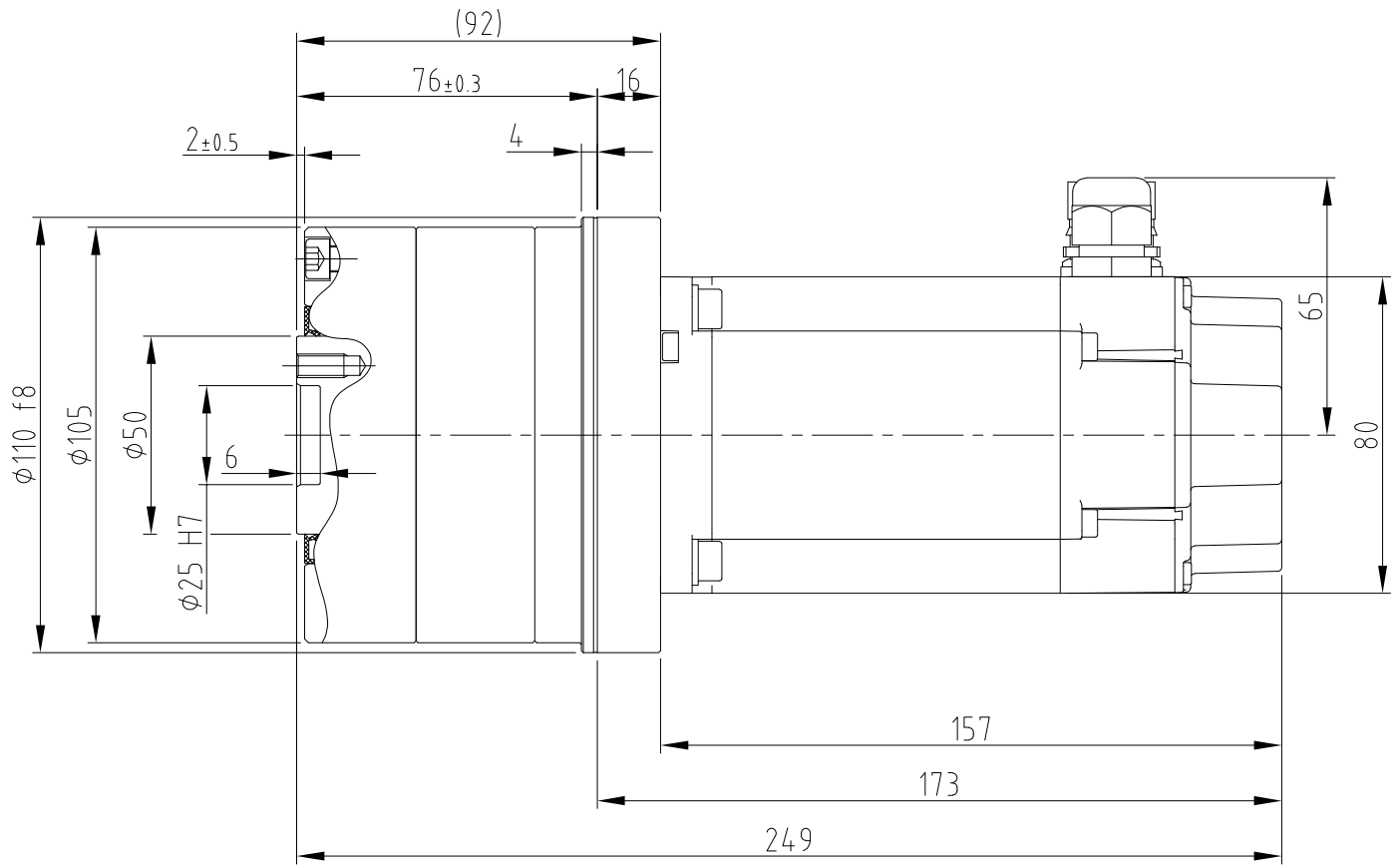
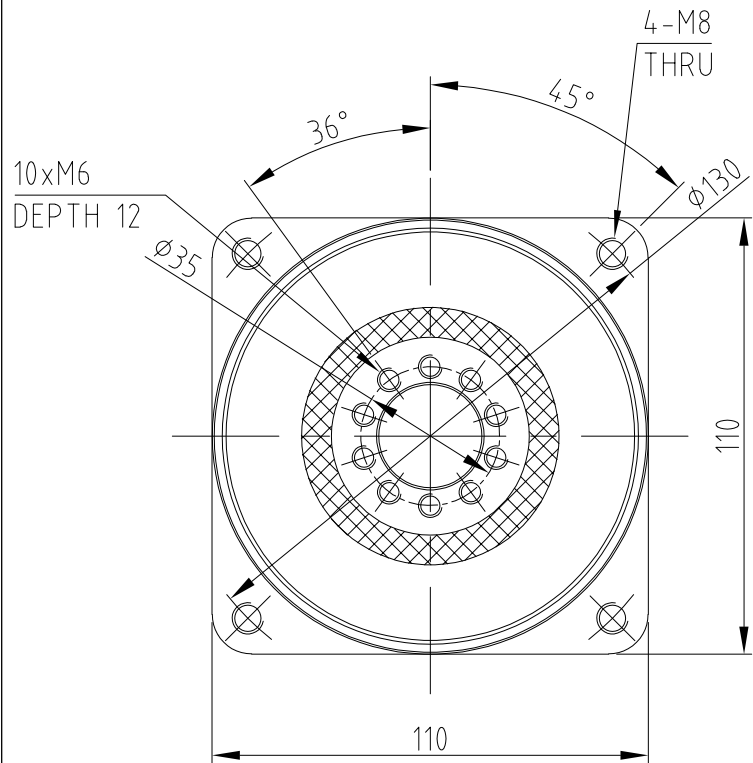
 Sumitomo Heavy Industries, Ltd.

smartris OUTLINE DRAWING



DWG.NO.

CH5 1 9 4 4 IG10

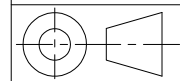


(Motor : Absolute Encoder / Absolute Encoder Safety)

Sumitomo Drive Technologies

 Sumitomo Heavy Industries, Ltd.

smartris OUTLINE DRAWING



DWG.NO.

CH54149IG10