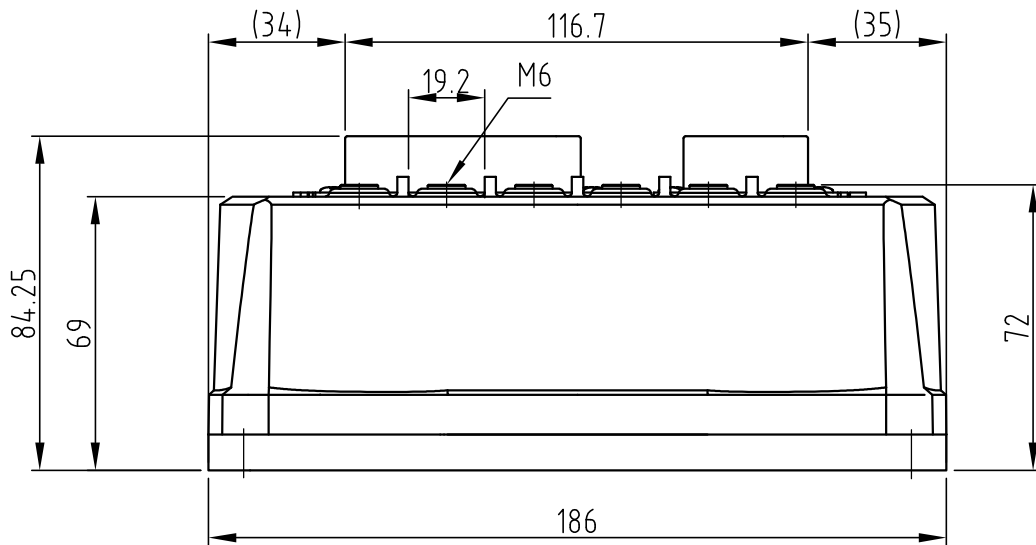
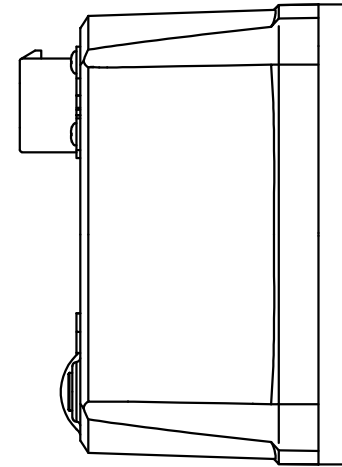
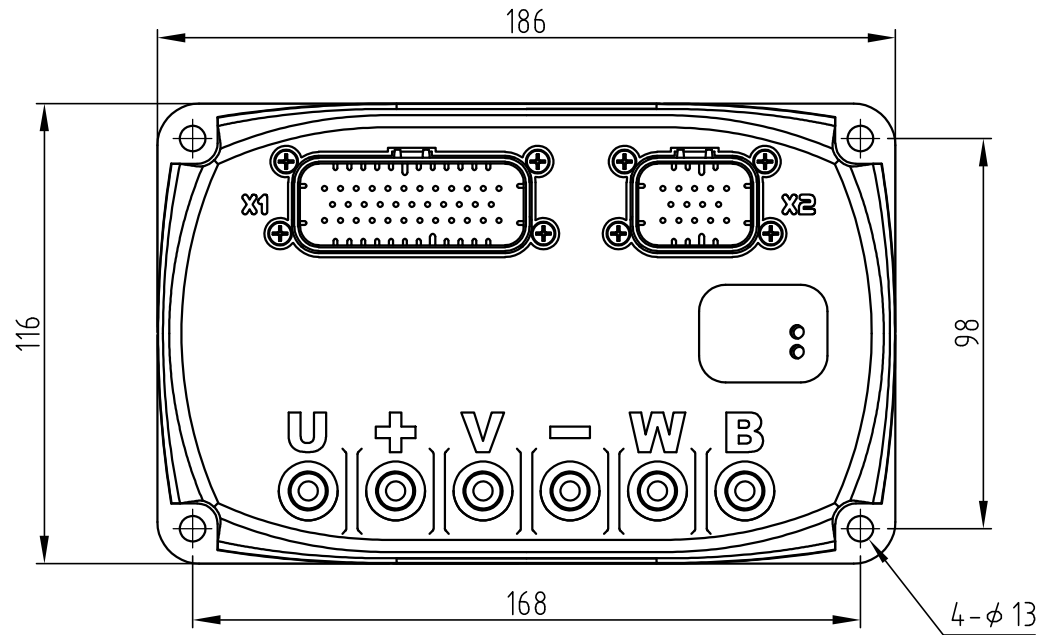


詳細な仕様は取扱説明書を参照ください
 Please refer to the instruction manual for detail

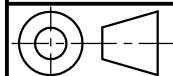


weight : 1.6kg

Sumitomo Drive Technologies

 Sumitomo Heavy Industries, Ltd.

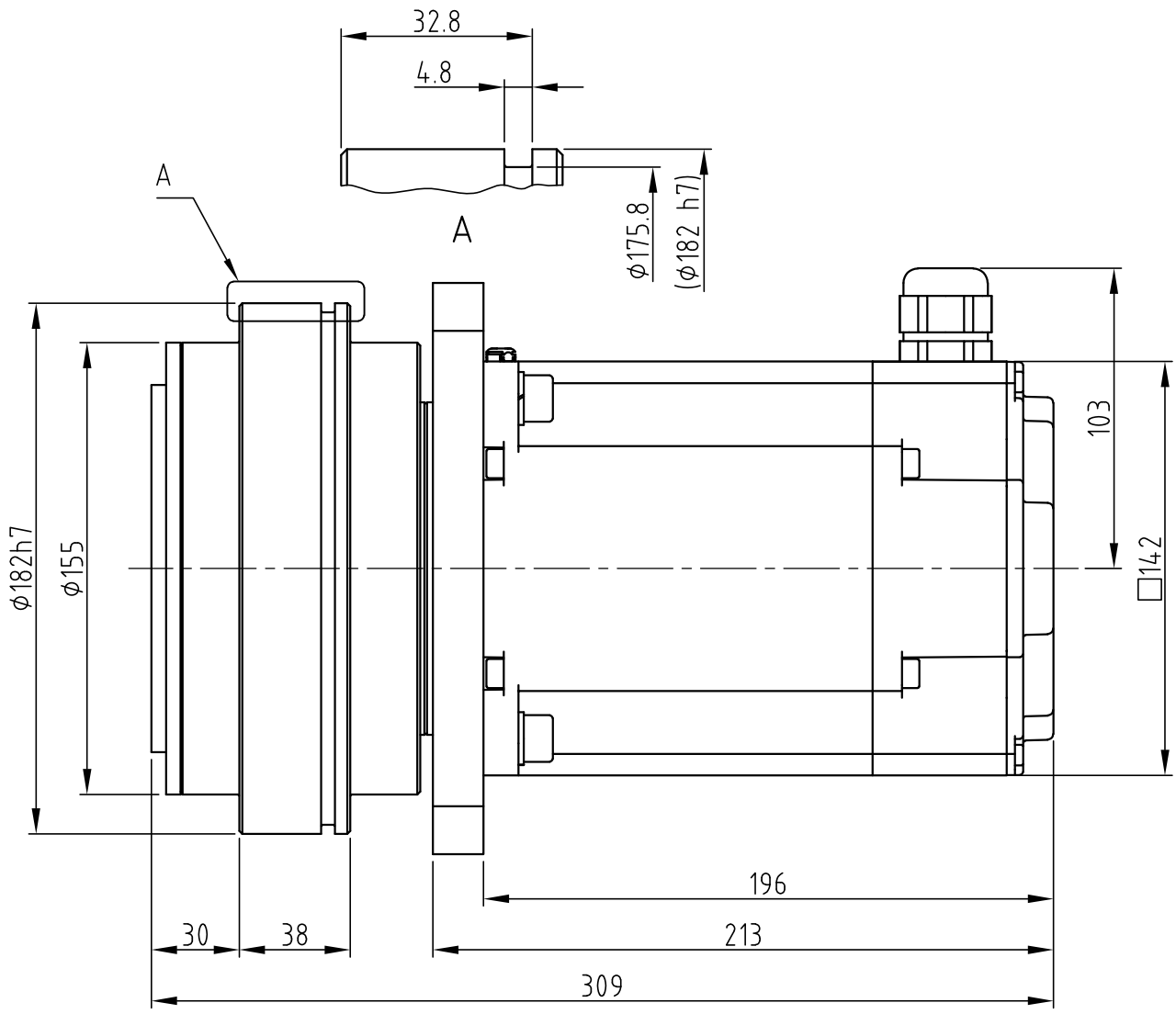
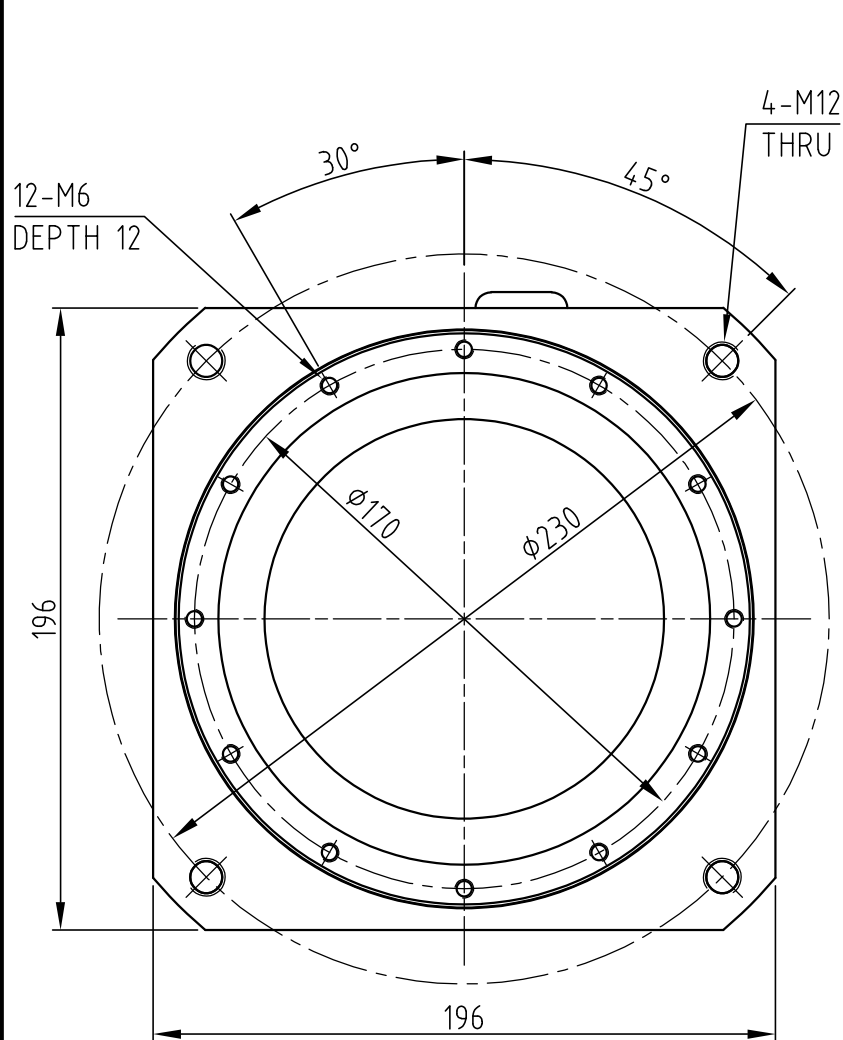
smartris OUTLINE DRAWING



DWG.NO.

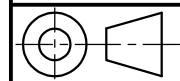
C H 5 2 3 0 8 | G10

DRIVER FOR smartris



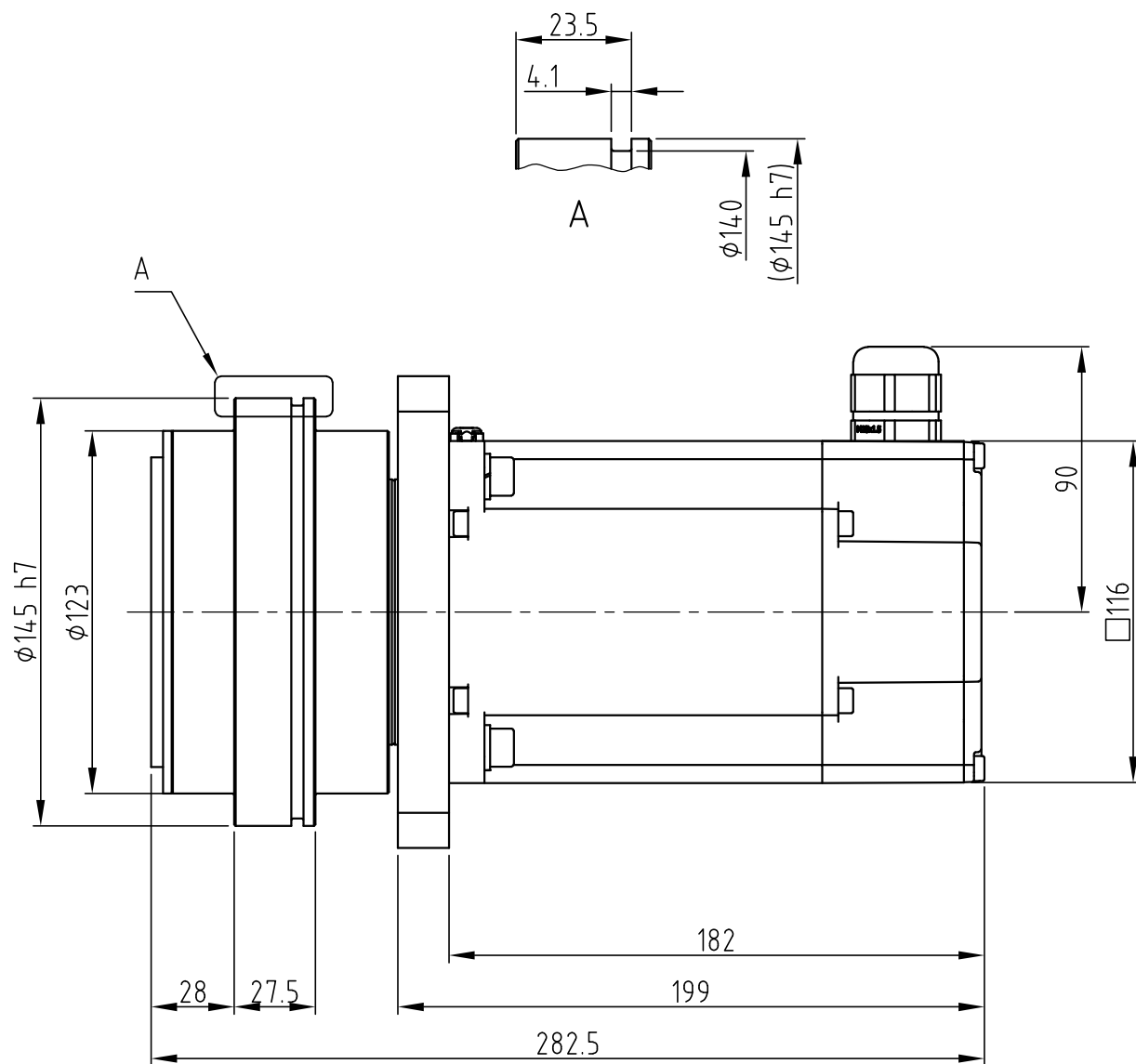
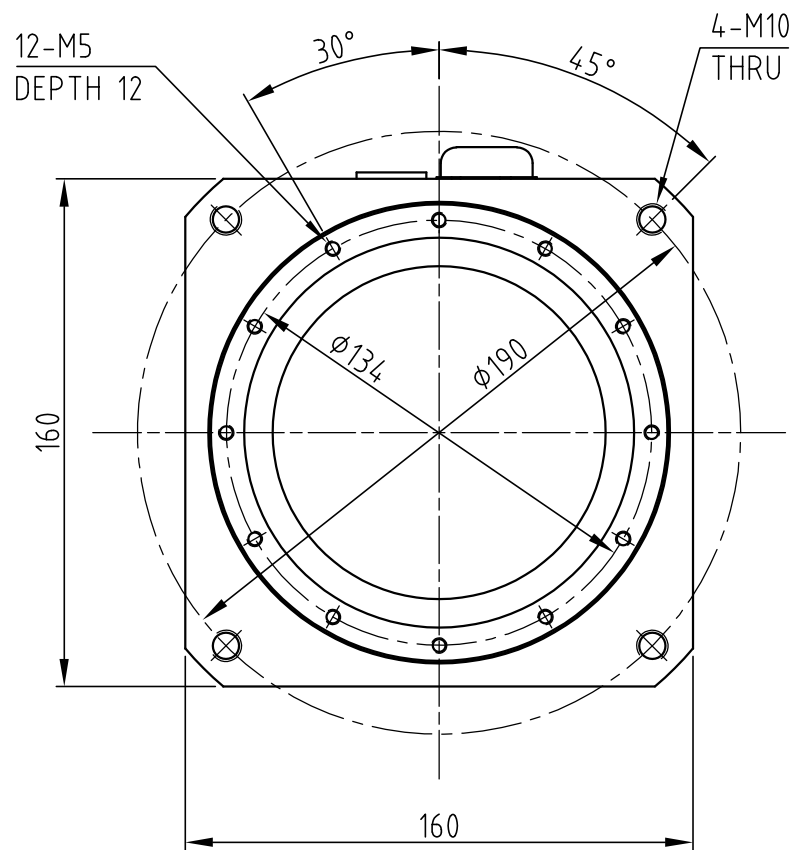
Sumitomo Drive Technologies
 Sumitomo Heavy Industries, Ltd.

smartris OUTLINE DRAWING



DWG.NO.

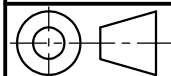
CH 5 4 5 2 7 IG10



Sumitomo Drive Technologies

 Sumitomo Heavy Industries, Ltd.

smartris OUTLINE DRAWING



DWG.NO.

CH54065IG10