

Cyclo Reducer Input Section Single Reduction

Figure 5.20

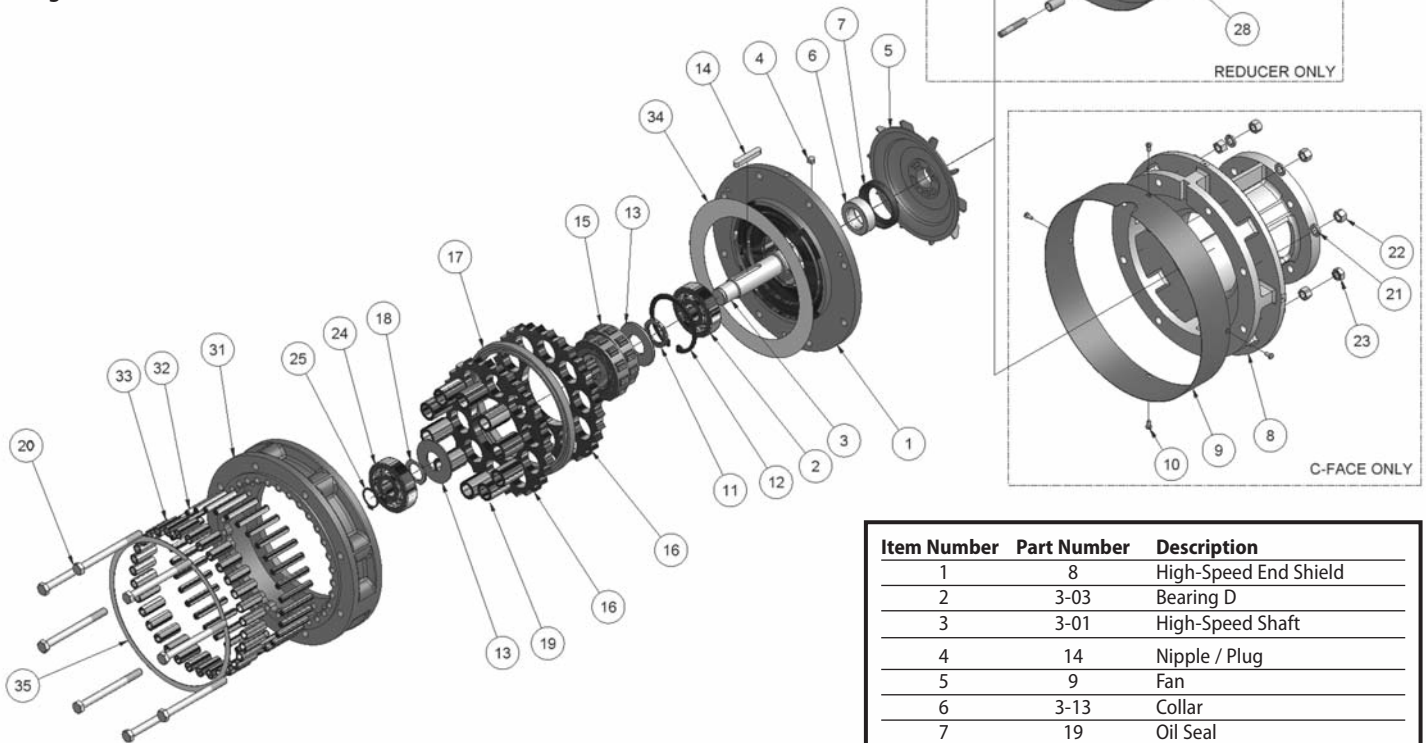


Table 5.19 Single Reduction Input Section Main Parts

Item Number	Part Number	Description
1	8	High-Speed End Shield
2	3-03	Bearing D
3	3-01	High-Speed Shaft
4	14	Nipple / Plug
5	9	Fan
6	3-13	Collar
7	19	Oil Seal
8	—	"C" Face Motor Adapter
9	—	Fan Shroud
10	—	Shroud Bolts/Screws
11	3-08	Spacer
12	3-11	Snap Ring
13	3-07	Endplate
14	3-05	Eccentric Key
15	3-04	Eccentric Cam Assembly
16	2-04	Cycloid Discs
17	2-05	Disc Spacer
18	3-09	Spacer
19	1-06	Slow Speed Shaft Rollers
20	7	Housing Bolts
21	—	Washers
22	—	Nuts
23	—	Locknut
24	3-02	Bearing C
25	3-10	Snap Ring
26	—	Tap-End Stud
27	13	Fan Spacer
28	10	Fan Cover
29	7	Washers
30	7	Nuts
31	2-01	Ring Gear Housing
32	2-02	Ring Gear Pins
33	2-03	Ring Gear Rollers
34	6	Gasket*
35	6	Gasket*

*Supplied as a set only

Parts List continued

Cyclo Reducer Input Section Double Reduction

Figure 5.21

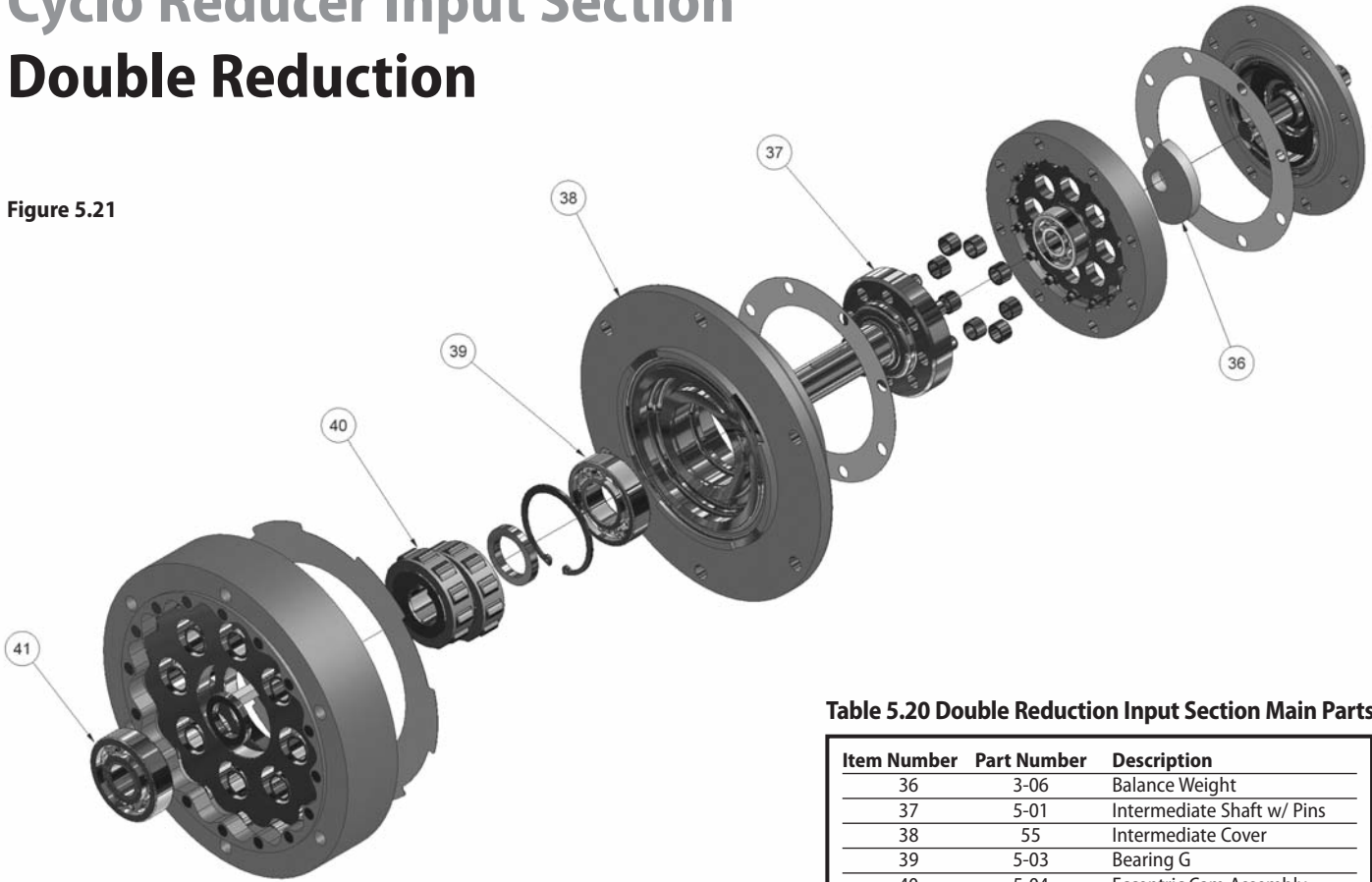


Table 5.20 Double Reduction Input Section Main Parts

Item Number	Part Number	Description
36	3-06	Balance Weight
37	5-01	Intermediate Shaft w/ Pins
38	55	Intermediate Cover
39	5-03	Bearing G
40	5-04	Eccentric Cam Assembly
41	5-02	Bearing F

Note: The parts listed are a general representation of the components found in a single and double reduction Cyclo.

Specific units may or may not contain all shown here.

Please consult the factory for specific part questions.