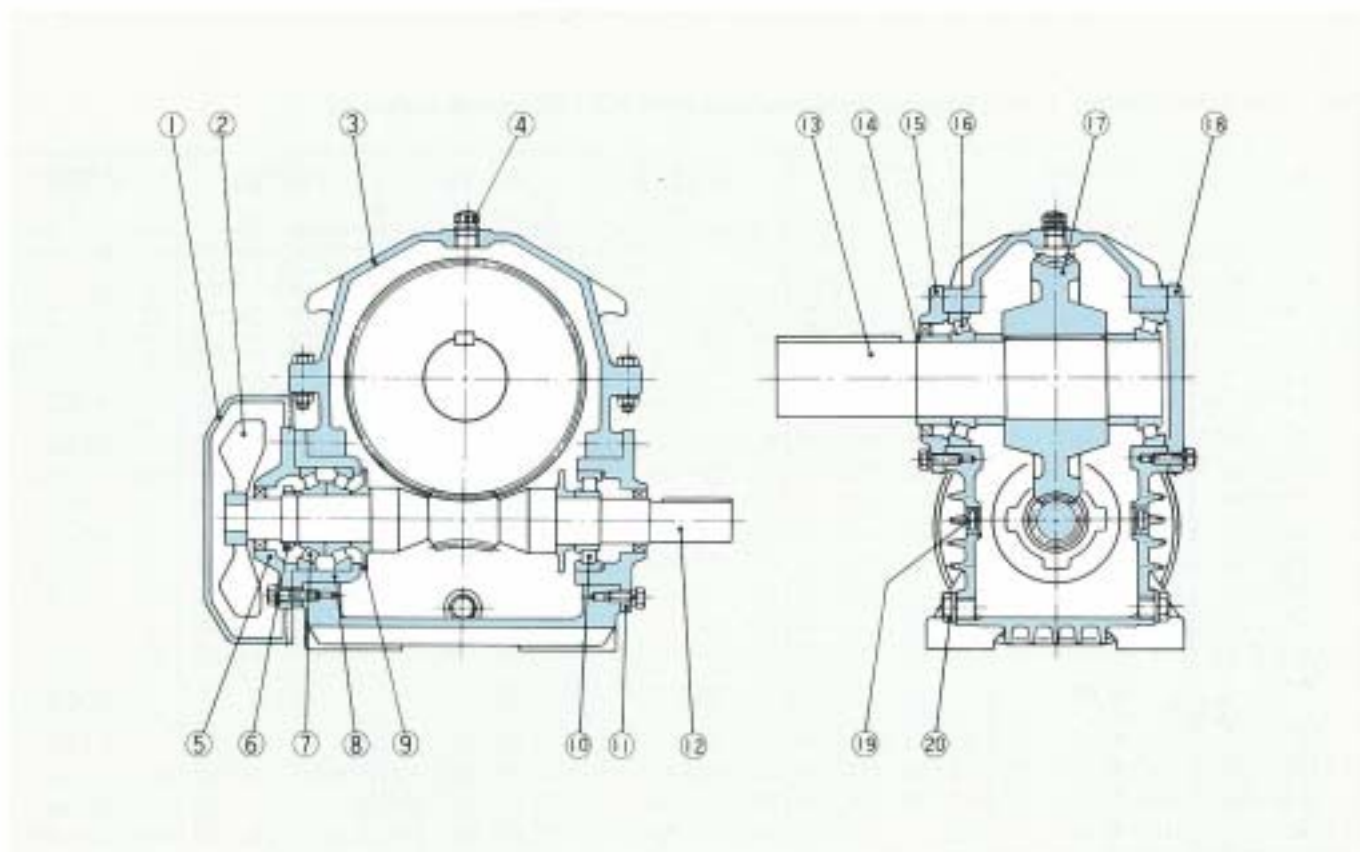


Construction



Note: • This is a model construction based on the CB type.
 • This only shows an example of the basic structures and may differ according to type or size.

• Table of Main Parts

No.	Parts name	No.	Parts name	No.	Parts name	No.	Parts name
1	fan cover	6	nut for bearing	11	bearing cago (2)	16	taper roller bearing
2	fan	7	taper roller bearing	12	worm shaft	17	worm wheel
3	housing	8	bearing cago (1)	13	wheel shaft	18	output shaft cover (2)
4	oiling plug	9	oil fringer plate	14	collar	19	oil gauge
5	worm shaft cover	10	cylindrical roller bearing	15	output shaft cover (1)	20	oil drain plug