

Sumitomo Machinery Corp. of America

Headquarters & Manufacturing

4200 Holland Boulevard

Chesapeake, VA 23323

Tel: 757-485-3355

Fax: 757-485-7490

www.sumitomodrive.com

E-mail: customercare@suminet.com

World Headquarters

Japan

Canada

Toronto

Vancouver

Montreal

Mexico

Monterrey

Mexico City

Guadalajara

South America

Brazil

Chile

Argentina

Europe

Austria

Belgium

France

Germany

Italy

Spain

Sweden

United Kingdom

Asia

China

Hong Kong

Indonesia

Korea

Malaysia

Philippines

Singapore

Taiwan

Thailand

Vietnam

Other Locations

Australia

India

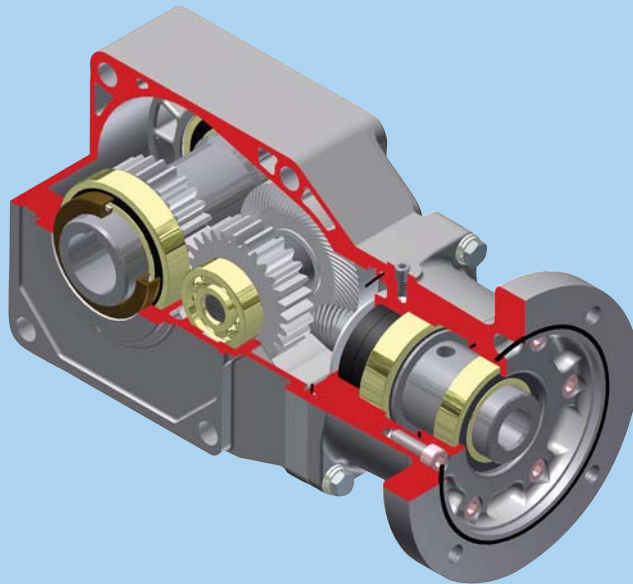
New Zealand

www.sumitomodrive.com

Hyponic® Quill Reducer

- ▶ Patented hypoidal gear technology for high efficiency performance
- ▶ Compact modular housing; lightweight aluminum alloy for most sizes
- ▶ Harsh duty, NSF 51 approved antimicrobial powder coat finish for superior protection
- ▶ Maintenance-free grease lubrication for low operating costs
- ▶ Quill style motor adapters for maximum motor specification flexibility

U. S. PAT. NO. 5,203,231
U. S. PAT. NO. 5,375,479



Hyponic® Advantages

- **Offset, all-steel hypoid design**
 - ~ Efficient torque transmission; more torque per unit in a small, compact size
 - ~ Hollow bore for quick, easy retrofit and installation
 - ~ Space-saving, quill style motor adapters
 - ~ Extremely quiet, smooth operation is ideal for commercial use
- **Ideal for food, beverage, and pharmaceutical industries**
 - ~ NSF 51 approved antimicrobial powder coating protects against the growth of bacteria, mold and fungus
 - ~ All sizes are grease lubricated, eliminates oil leaks
 - ~ Leads the industry in high efficiency and quiet operation
- **The best product warranty**
 - ~ 24 month warranty backs up proven Hyponic® reliability

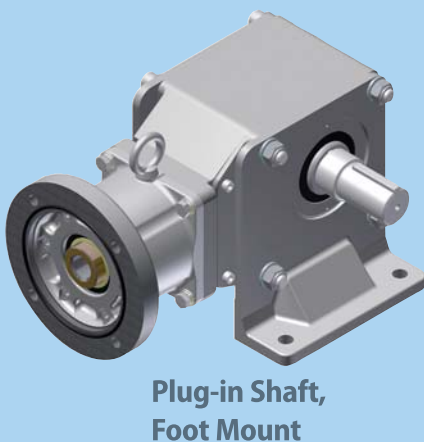
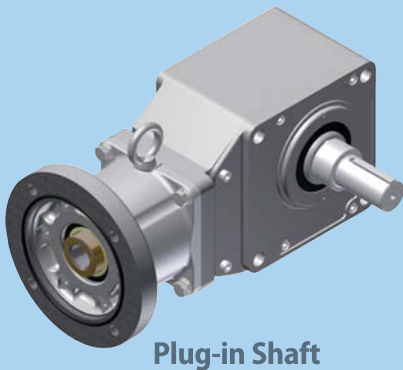


Applications

- Conveyor Lines & Material Handling
- Bottling & Food Processing
- Commercial Bakery Lines
- Sorting Machines
- Automotive Assembly Plants
- Packaging
- Automated Bay & Dock Door Drives

Ask About Available Mounting Options

- ▶ Optional plug-in shaft and bolt-on feet enhance Hyponic® mounting flexibility



Hyponic® Quill Reducer Available Motor Frame Sizes

| Frame Size | Ratio (:1) | Standard Bore* (inches) | Output Torque at 1750 RPM Input (in·lb) | Available Motor Frames |
|------------|------------|-------------------------|---|------------------------|
| 1120 | 5 ~ 60 | 3/4 | 41 ~ 246 | 56C |
| 1220 | 5 ~ 60 | 1 | 82.1 ~ 492 | 56C |
| 1230 | 80 ~ 120 | 1 | 328 ~ 492 | 56C |
| 1320 | 5 ~ 30 | 1-1/4 | 164 ~ 985 | 56C ~ 143TC |
| | 40 ~ 60 | | 657 ~ 985 | 56C |
| 1330 | 80~240 | 1-1/4 | 657 ~ 918 | 56C |
| 1340 | 300 ~ 720 | 1-1/4 | 1160 ~ 1730 | 56C |
| 1420 | 5 ~ 30 | 1-3/8 | 316 ~ 1900 | 145TC |
| | 40 ~ 60 | | 1310 ~ 1970 | 56C ~ 143TC |
| 1430 | 80 ~ 240 | 1-3/8 | 1310 ~ 1840 | 56C |
| 1440 | 300 ~ 1440 | 1-3/8 | 2320 ~ 3450 | 56C |
| 1530 | 80 ~ 120 | 1-1/2 | 2630 ~ 3940 | 56C ~ 143TC |
| | 150 ~ 240 | | 2230 ~ 3670 | 56C |
| 1531 | 40 ~ 80 | 1-1/2 | 2530 ~ 5060 | 145TC |
| 1540 | 300 ~ 1440 | 1-1/2 | 4640 ~ 6480 | 56C |
| 1630 | 10 ~ 120 | 2 | 903 ~ 11000 | 143TC ~ 182TC |
| 1631 | 150 ~ 240 | 2 | 13100 | 56C ~ 182TC |
| 1632 | 10 ~ 60 | 2 | 1520 ~ 9180 | 184TC |
| 1640 | 300 ~ 720 | 2 | 9270 ~ 13100 | 56C ~ 143TC |
| | 900 ~ 1440 | | 13100 | 56C |

*Optional bore sizes are available. Popular keyed hollow bore sizes available from stock: 1 3/16", 1 7/16", 1 15/16", 2 3/16".

▶ Product Options

Quill Reducer Options

- NSF H1 Synthetic Lubrication
- Harsh Duty FKM Antimicrobial Seals
- Plug-in Solid Shaft
- Mounting Plates - Foot and Flange
- Shrink Disk Hollow Shaft Face Mount
- Torque Arm

Packages

- Food-grade
- Weather-proof IP 54 Duty
- Washdown IP55 Duty
- Food-grade Washdown IP55
- High-pressure Washdown Duty
- Food-grade High-pressure Washdown
- Low Temperature Duty