

# Configure a Model Number

## Output Shaft Orientation

Type	Prefix
Horizontal	H
Vertical	V

## Mounting Style

Type	Prefix
Shaft Mount (Hollow Shaft)	Y
Flange (Hollow Shaft)	F
Housing Mount (Hollow Shaft)	U

## Input Connection

Type of Input	Prefix	
	Reducer	Gearmotor
Gearmotor	M	

## Modification

Type	Prefix
Unit built with special modifications	S
Shrink Disc	S
No special modifications applied	

## Motor Power

(applies only to 1750 RPM)

HP	kW	Symbol
1/8	(0.1)	01
1/4	(0.2)	02
1/3	(0.25)	03
1/2	(0.4)	05
3/4	(0.55)	08
1	(0.75)	1
1 1/2	(1.1)	1H
2	(1.5)	2
3	(2.2)	3
5	(3.7)	5
7 1/2	(5.5)	8
10	(7.5)	10
15	(11)	15
20	(15)	20
25	(18.5)	25
30	(22)	30
40	(30)	40
50	(37)	50
60	(45)	60
75	(55)	75

## Frame Size

Single Reduction			
5Z100	5A110	5B120	5C140
5Z105	5A115	5B125	5C145
5Z110	5A120	5B140	5C160
5Z115	5A125	5B145	5C165
5Z120	5A140	5B160	5C170
5Z125	5A145	5B165	5C175
Double Reduction			
5Z10DA	5A12DA	5B12DA	5C14DA
5Z12DA	5A12DB	5B12DB	5C14DB
5Z12DB		5B14DA	5C14DC
		5B14DB	5C16DA
			5C16DB

## AGMA Class

Class	Suffix
I	A
II	B
III	C

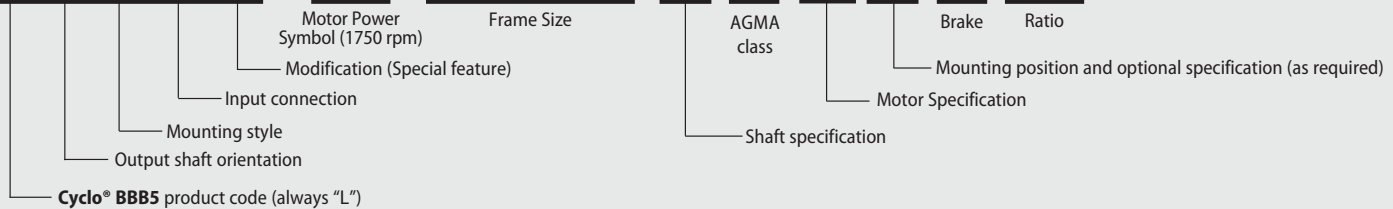
## Motor Specification

Specification	Suffix
Three-Phase Motor	
Single-Phase Motor	SG
AF-Motor (Adjustable Frequency)	AV
Servo Motor	SV
DC Motor	DV
Torque Limiter	TL

## Brake

	Suffix
With Brake	B
No Brake	-

**L H Y M S**    **5** - **5A125**    **K** - **B** - **AV** **Y1** - **B** - **28**



When ordering, the following information should be included:

- Motor Specification (230/460 VAC 60 Hz is supplied, unless otherwise specified)

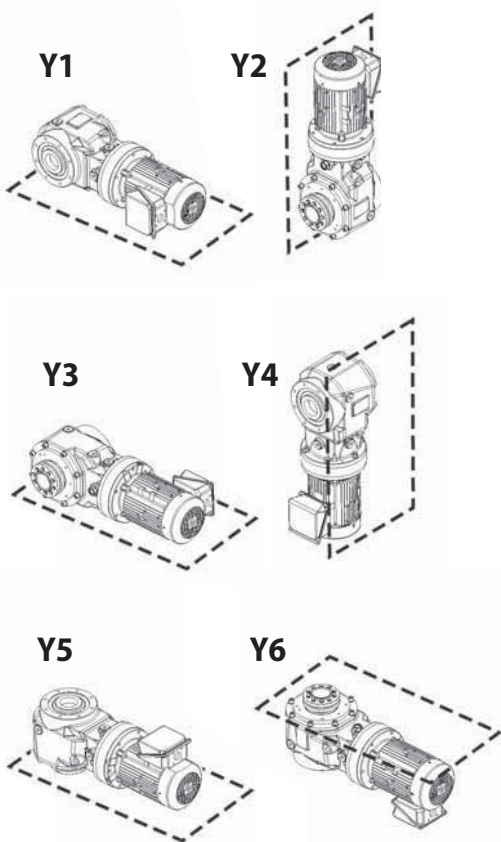
Optional conduit box positions must be specified, otherwise Y1 is supplied.

# Nomenclature

## Shaft Specifications

Input Shaft	OUTPUT SHAFT Hollow Output Shaft	Suffix
mm	Key (mm)	
Inch	Key (Inch)	K

## Mounting Positions



## Nominal and Exact Ratio

BBB5 with Planetary Input				BBB5 with Cyclo Input				
Nominal		BBB5 Frame Size	Exact Ratio	Single Reduction				
Input Ratio	Overall Ratio			Nominal		BBB5 Frame Size	Exact Ratio	
Input Ratio	Overall Ratio	Input Ratio	Overall Ratio	Input Ratio	Overall Ratio			Exact Ratio
3	11	5Z10	10.50	6	21	All	21.0	
		5Z11		7	22		22.4	
		5Z12		7	25		24.5	
		5A11		8	28		28.0	
		5A12		11	35		35.2	
		5B12	11	39	38.5			
		5B16	13	46	45.5			
		5C16	15	53	52.5			
		5C17	17	60	59.5			
		5A14	12.80	21	67		67.2	
5B14	21	74		73.5				
5C14	25	80		80.0				
5A14	25	88		87.5				
5B14	29	102		101.5				
4	13	5C16	12.95	35	112	112.0		
		5A14		35	123	122.5		
		5B14		43	151	150.5		
		5C14		51	179	178.5		
		5Z10		59	207	206.5		
		5C17	71	249	248.5			
		5	14	5Z11	14.00	87	305	304.5
				5Z12		104	364	364.0
				5A11		121	424	423.5
				5A12		143	501	500.5
5B12	165			578		577.5		
5	16			5B16	14.16	195	683	682.5
				5C16		231	809	808.5
				5Z10		273	956	955.5
				5Z11		319	1117	1116.5
				5A11		377	1320	1319.5
		5	18	5A14	14.21	473	1656	1655.5
				5B14		559	1957	1956.5
				5C14		649	2272	2271.5
				5C17		731	2559	2558.5
				5B16		841	2944	2943.5
5	18			5C16	14.32	1003	3511	3510.5
				5Z10		1247	4365	4364.5
				5Z12		1479	5177	5176.5
				5A12		1849	6472	6471.5
				5B12		2065	7228	7227.5
		5	18	5Z11	15.65	2537	8880	8879.5
				5A11		3045	10658	10657.5
				5A14		3045	10658	10657.5
				5B14				
				5C14				
5	18			5Z12	15.89			
				5A12				
				5B12				
				5Z11				
				5A11				
		5	18	5A14	16.00			
				5B14				
				5C14				
				5C17				
				5B16				
5	18			5C16	16.17			
				5Z10				
				5Z12				
				5A12				
				5B12				
		5	18	5Z11	16.26			
				5A11				
				5A14				
				5B14				
				5C14				
5	18			5C17	16.80			
				5Z10				
				5Z12				
				5A12				
				5B12				
		5	18	5Z11	17.12			
				5A11				
				5A14				
				5B14				
				5C14				
5	18			5C16	17.38			
				5Z10				
				5Z12				
				5A12				
				5B12				
		5	18	5Z11	17.50			
				5A11				
				5A14				
				5B14				
				5C14				
5	18			5C17	17.68			
				5Z10				
				5Z12				
				5A12				
				5B12				
		5	18	5Z11	17.78			
				5A11				
				5A14				
				5B14				
				5C14				
5	18			5C16	17.85			
				5Z10				
				5Z12				
				5A12				
				5B12				
		5	18	5Z11	10.85			
				5A11				
				5A14				
				5B14				
				5C14				
5	18			5C17	10.86			
				5Z10				
				5Z12				
				5A12				
				5B12				
		5	18	5Z11	12.80			
				5A11				
				5A14				
				5B14				
				5C14				
5	18			5C16	12.99			
				5Z10				
				5Z12				
				5A12				
				5B12				
		5	18	5Z11	13.09			
				5A11				
				5A14				
				5B14				
				5C14				
5	18			5C17	14.00			
				5Z10				
				5Z12				
				5A12				
				5B12				
		5	18	5Z11	14.16			
				5A11				
				5A14				
				5B14				
				5C14				
5	18			5C16	14.21			
				5Z10				
				5Z12				
				5A12				
				5B12				
		5	18	5Z11	14.32			
				5A11				
				5A14				
				5B14				
				5C14				
5	18			5C17	15.36			
				5Z10				
				5Z12				
				5A12				
				5B12				
		5	18	5Z11	15.65			
				5A11				
				5A14				
				5B14				
				5C14				
5	18			5C16	15.89			
				5Z10				
				5Z12				
				5A12				
				5B12				
		5	18	5Z11	16.00			
				5A11				
				5A14				
				5B14				
				5C14				
5	18			5C17	16.17			
				5Z10				
				5Z12				
				5A12				
				5B12				
		5	18	5Z11	16.26			
				5A11				
				5A14				
				5B14				
				5C14				
5	18			5C16	16.17			
				5Z10				
				5Z12				
				5A12				
				5B12				
		5	18	5Z11	16.26			
				5A11				
				5A14				
				5B14				
				5C14				
5	18			5C17	16.80			
				5Z10				
				5Z12				
				5A12				
				5B12				
		5	18	5Z11	16.80			
				5A11				
				5A14				
				5B14				
				5C14				
5	18			5C16	17.12			
				5Z10				
				5Z12				
				5A12				
				5B12				
		5	18	5Z11	17.12			
				5A11				
				5A14				
				5B14				
				5C14				
5	18			5C17	17.38			
				5Z10				
				5Z12				
				5A12				
				5B12				
		5	18	5Z11	17.50			
				5A11				
				5A14				
				5B14				
				5C14				
5	18			5C16	17.50			
				5Z10				
				5Z12				
				5A12				
				5B12				
		5	18	5Z11	17.68			
				5A11				
				5A14				
				5B14				
				5C14				
5	18			5C17	17.78			
				5Z10				
				5Z12				
				5A12				
				5B12				

### Nomenclature Example:

**LHYMS5 – 5A125KB – AVY1 – 28**

- L – Cyclo® Bevel Buddybox
- H – Horizontal
- Y – Shaft Mount (Hollow Shaft)
- M – Gearmotor
- S – Special
- 5 – 5 HP (3.7 kW), 1750 RPM
- 5A125 – Frame Size
- K – Key (Inch) Hollow Output Shaft
- B – AGMA Class II
- AV – Adjustable Frequency Motor
- Y1 – Mounting Position
- 28 – Ratio