



Sumitomo Drive Technologies

**Sumitomo Drive Technologies**

Sumitomo, Hansen and Seisa. Three brands, one global power transmission solutions provider. Sumitomo Drive Technologies has facilities strategically located throughout the world, providing comprehensive products and services in your region.

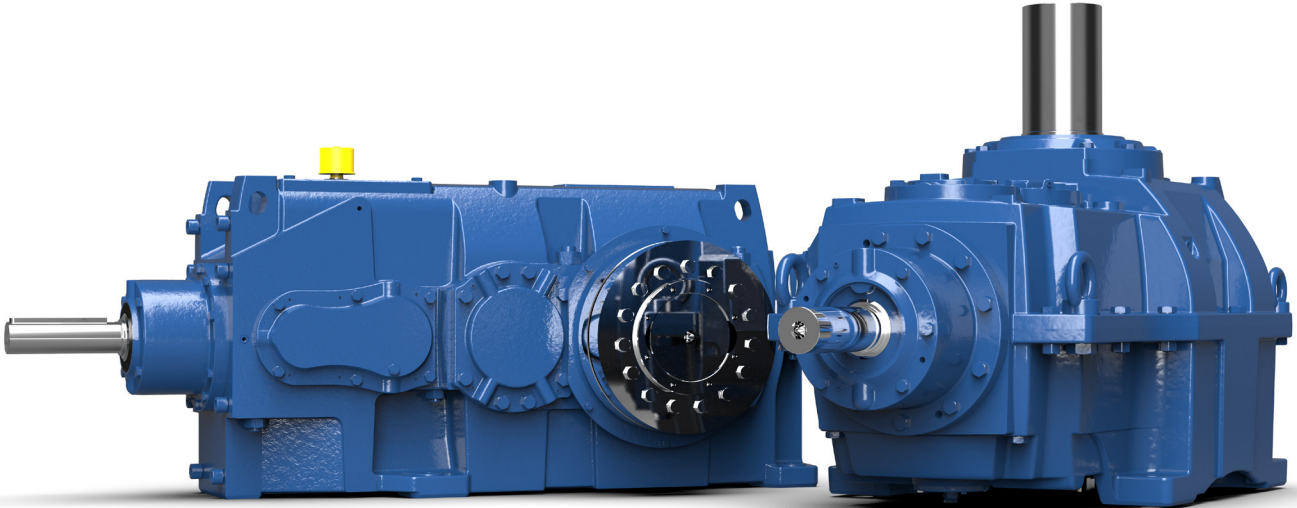


- ★ MANUFACTURING HUB
- ASSEMBLY & SERVICE
- ▲ REGIONAL SALES OFFICE

Sumitomo Machinery Corporation of America  
[www.SumitomoDrive.com](http://www.SumitomoDrive.com)

For worldwide locations, please visit [www.sumitomodrive.com/worldwide](http://www.sumitomodrive.com/worldwide)  
Contact your local representative at [www.sumitomodrive.com/representative](http://www.sumitomodrive.com/representative)  
Tel: 1-800-SM-CYCLO (762-9256) 01.H02.51.001 P4 Brochure 2019

**P4 HANSEN P4**

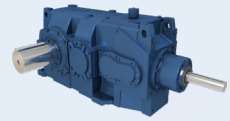




• Vertical Mixer



• Multi-Stage

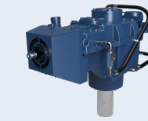


• Single-Stage



### ORIENTATIONS

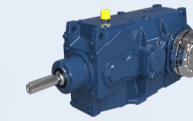
• Drop Bearing



• Rigid Flange



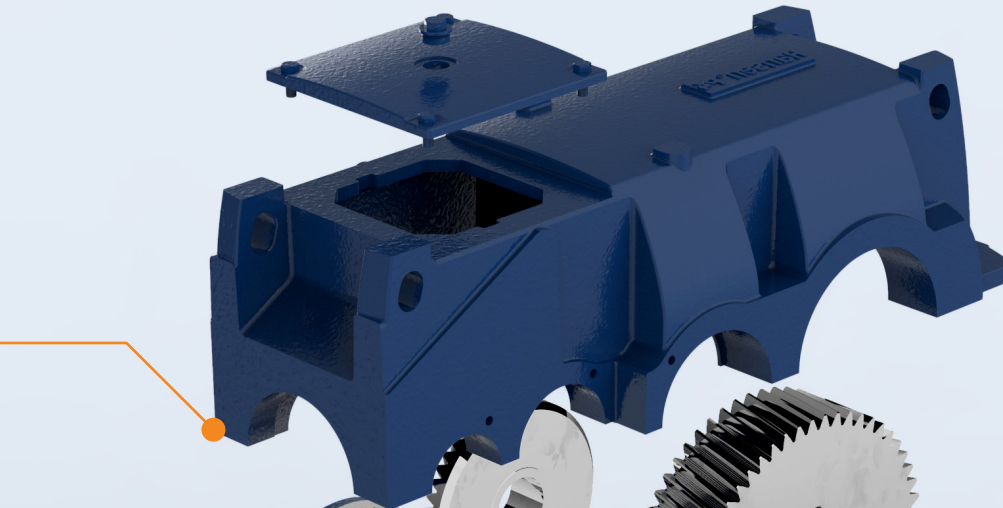
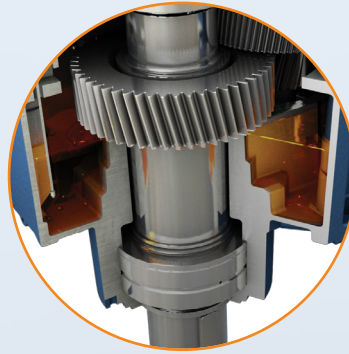
• Hollow Shaft



### OUTPUTS

### SPLIT HOUSING

Rugged, split housing for horizontal and vertical applications. The Integrated Drywell provides a truly leak-proof low-speed shaft.



## P4 HANSEN P4

### REMARKABLE POWER AND PERFORMANCE WITH LOW NOISE

The Hansen P4 multi-stage gear unit is market leading in quality and technology, excelling in reliability and durability. The rugged housing, along with our commitment to innovating state-of-the-art technology, provides remarkable power and performance.

The unique Oil-Lock™ system offers a maintenance-free seal on high speed shaft extensions, designed to keep the oil in and dirt out.

Optional accessories include: Motor Lantern, Multiple Sealing System, Torque Arm, Integrated Heating System, Cooling Fan/Coil, Humidity Resistant Paint, and Dust-Proof Breather.

### LARGE OIL CAPACITY

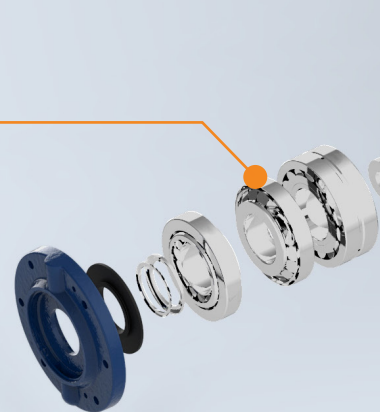
Ensures bearings are lubricated at start up to maximize reliability and life

### WIDE BEARING SPAN

Standard increased bearing span for vertical applications for stronger shaft support

### SLOW SPEED SHAFT

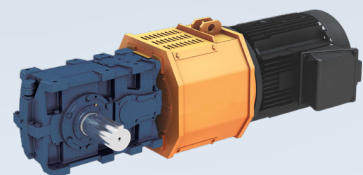
### BEARINGS



### PINION SHAFTS

Rigid standardized pinion shafts and housings for better lateral load distribution

### OPTIONS



#### UniMiner

Flippable housing and horizontal split line make the ideal alignment-free drive package for mining

### SPECS



**HP RATING**  
Up to 14,080 HP  
(10,500 kW)



**DIAMETER**  
3.15in to 15.75in



**TORQUE**  
Up to 9.7 million lb•in  
(1.1 million N•m)



**RATIO RANGE**  
Up to 630:1 (Custom ratios available)