

Encoders: The Perfect Solution

Sumitomo is pleased to announce quicker deliveries for encoder equipped gearmotors and brake motors.

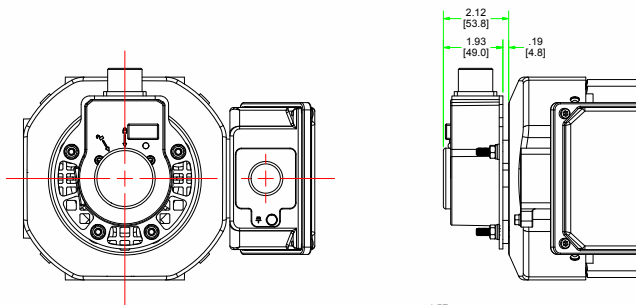
By standardizing the designs and utilizing our ability to assemble motors in house, we can ship Cyclo, BBB, HBB and Hyponic gearmotors and brake motors, either with encoders, or encoder ready, within standard lead times.

The selected incremental encoders are readily available, affordable units that have proven to be robust in real world applications.

There are two standard offerings; for non-brake motors, a magnetic type, the AV32 and for brakemotors, or other uses, an optical design, the HS25A. They share the following specifications:

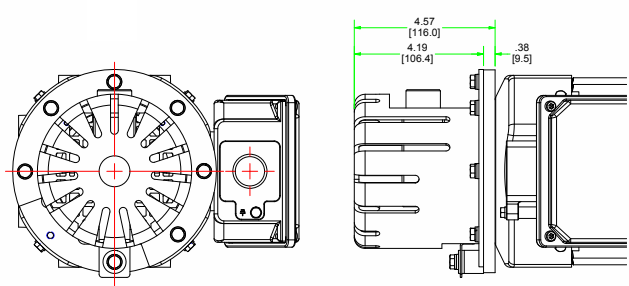
- **Incremental type**
- **PPR: 1024 PPR – others PPR's available**
- **Speed: 6000 RPM max., higher speeds, Contact Factory**
- **Output Connection: 10 Pin MS Connector**
- **Ingress Rating: IP65 (Motor is IP55)**
- **Shock: 50G, 11 mS duration**
- **Vibration: 5 – 2000 Hz**





AV 32: For Non-brakemotors

- Simple Magnetic Model
- Rugged Flange Mount
- Reliable Bearing Free Design
- Temperature: -40° to 100°C
- Operating Power: Volts: 5 - 24 VDC
- Current: 60mA, No Load
- Frequency Range: 0 to 250 KHz
- Output Format: A Quad B w/ Gated Marker



HS25A: For brakemotors and other applications

- Versatile Optical Design
- Unbreakable Optical Disk
- Forgiving Torque Arm Mount
- Protective Basket Standard
- Temperature: -20° to 100°C
- Operating Power: Volts: 5 - 28 VDC
- Current: 50mA, No Load
- Frequency Range: 0 to 125 KHz
- Output Format: A Quad B with Marker